

RACEPOINT ENERGY

Flexible Load Management

Monitor and control every circuit making for a complete smart home. Optimize energy use with custom critical loads and load shedding during peak-rate time periods.



TECH SPECS

240V AC (2 Pole) Relay Companion Module

ENVIRONMENTAL

Temperature	32° to 104° F (0° to 40° C)
Humidity	5% to 85% Relative Humidity (non-condensing)
Location	Indoor Use Only

DIMENSIONS AND WEIGHTS

	Height	Width	Depth	Weight
Homeline Module	1.98 in. 5.03 cm	4.87 in. 12.37 cm	2.80 in. 7.11 cm	.5 lbs .23 kg
QO Module	1.48 in. 3.76 cm	5.00 in. 12.70 cm	2.63 in. 6.68 cm	.5 lbs .23 kg

POWER

Inputs	240V AC @ 60 Hz, 30 amps
Load Power	7200VA (30 amp resistive load)
Auto Action	Type 1.B action

STANDARDS

Wireless	Bluetooth Low Energy (BLE) 2.4 GHz radio frequency
----------	---

REGULATORY

Safety and Emissions	FCC Part 15, UL, ICES 003
Contains FCC ID:	2AA9B04
Contains IC:	12208A-04
RoHS	Compliant

RECOMMENDED LOAD CENTER TYPES

All Homeline™ compatible modules fit into 1-inch load centers
All QO™ compatible modules fit into ¾ inch load centers.

SUPPORTED LOAD TYPES

Standard Configuration
Non-dimmable lighting circuits
Relay On/Off type loads (e.g. appliances)

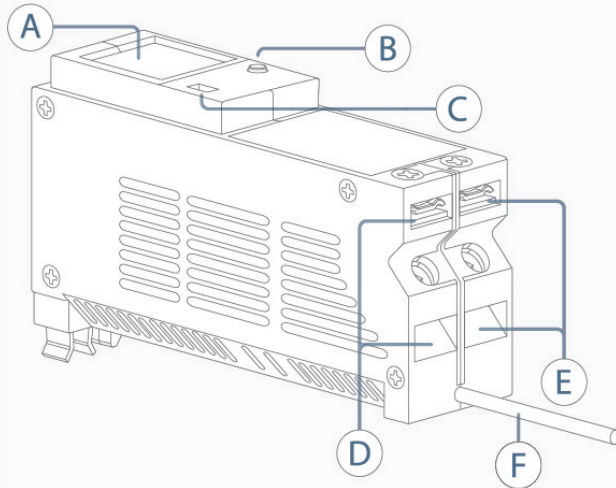
TERMINALS

Screw Tighten Torque	1.34 Nm
Wire/Conductor Type	Copper (Cu) only

MINIMUM SUPPORTED RELEASE

Savant OS	da Vinci 9.0
-----------	--------------

240V AC (2 Pole) Relay Companion Module



A MULTI-PAGE LCD SCREEN

Displays the following:

- Output Label and Current Consumption
- Firmware, Mac Address, GUI version, and Regulatory Info
- UID of the Host the module is communicating with
- Real-time Bluetooth status connectivity icon

B PAIR BUTTON

How the button is pressed will determine its function:

Press and Release - Cycles through the various screens available on the LCD (Power > INFO 1 > INFO 2).

Press and Hold - Press and hold for 2 seconds to put module into pairing mode.

Press and Hold - Press and hold for 3 seconds to reset.

C MANUAL LOAD SWITCH

Toggle switch to ON position to switch the load on.

Toggle switch to AUTO for normal operation.

D INPUT POWER CONNECTIONS

Connect the 240V AC from a 2-Pole companion breaker across INPUTS L1 and L2.

E OUTPUT POWER CONNECTIONS

Connections are labeled L1 and L2. Connect these outputs across a 240V AC load.

F NEUTRAL WIRE

Connect to the neutral bar in breaker panel.

FEATURES

- Control capability for loads up to 7200 VA (volt-ampere).
- All QO™ and Homeline™ lighting modules are compatible with Schneider Electric Square D,™ QO,™ and Homeline™ load centers. (Requires the neutral wire be connected.)
- Dynamic management of loads.
- Communicates with Panel Bridge Controller using Bluetooth Low Energy (BLE) technology.
- Manual load switches to toggle power to the outputs On and Off.
- Color LCD display for easy identification and load status.

IMPORTANT INFORMATION

- The relay companion module can switch up to 30 amps. The breaker feeding the module should not be larger than 30 amps.
- **Space Requirements**
 - Each 2-pole breaker requires two spaces.
 - Each companion module requires two spaces.
- Maximum number of modules that can communicate with the Panel Bridge Controller is 40.